



Hypercharge EVC10

Level 2 Charging Station



Hypercharge EVC10

Features





Hypercharge EVC10

Specifications

Power Specifications		
Input	Input Rating	200-240 VAC
	Frequency	50-60Hz
	Input Current	16-48 amps
Output	Output Current	16-48 amps
User Interface & Control		
User Authentication	RFID (ISO 14443)	
Communications		
External	LAN + 4G or Wi-Fi (All Optional)	
Internal	OCPP 1.6 JSON (OCPP 2.0 Compatible)	
Environmental		
Operating Temperature	-30°C – +50°C / -22°F – +122°F	
Humidity Maximum	95%	
Altitude	≤ 2000 m / ≤ 6561 ft	
IP Code	IP65	
Cooling Method	Natural Cooling	
Mechanical		
Product Dimensions	13.8" x 9.8" x 5.1"	
Package Dimensions	19.6" x 13.7" x 10.7"	
Net Weight	18.1 lbs	
Gross Weight	20.3 lbs	
Charging Outlet	18ft Standard (25ft Optional with Surcharge)	
Protections		
CCID	CCID20	
Protection Features	Overcurrent, Undervoltage, Overvoltage, Residual-Current, Surge Protection, Short-Circuit, Over Temperature, Ground Fault, Current Leakage	
Regulations		
Certificate	UL 2594, UL 2231-1/-2	
Safety	cETL	
Wireless Certificate	Industry Canada (IC) / Federal Communications Commission (FCC)	
Charging Interface	SAE J1772	



Hypercharge EVC10

Mounting Options

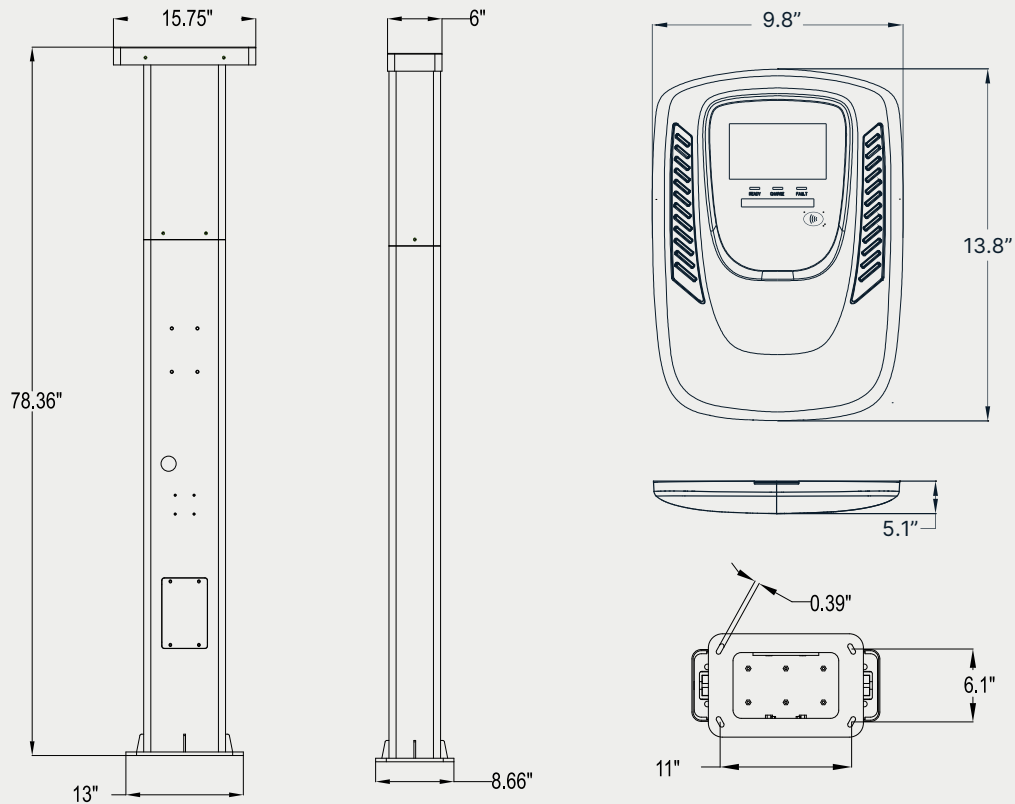


Back-to-Back Pedestal



Wall Mounted

Dimensions





hypercharge.com