



Hypercharge EVC11

Level 2 Charging Station



Hypercharge EVC11

Features





Hypercharge EVC11

Specifications

Power Specifications			
Supply Voltage	208V	208V	240V
Current	16A	32A	32A
Output Power	3.3kW	6.6kW	7.2kW
Payment and Authentication			
Registered users	Mobile App or RFID (ISO 14443)		
Credit card reader options	HCA490 Kiosk Option	HCA491 Kiosk Option	HCA492 Kiosk Option
	Wall mounted, for multiple stations	Wall mounted, for 1 station	Pedestal mounted, 2 stations
Communications			
Network Connection	Ethernet or Wi-Fi or 4G LTE		
Network Protocols	OCPP 1.6, OCPP 2.0 (coming soon), ISO 15118 (option)		
Environmental			
Operating Temperature	-30°C – +50°C / -22°F – +122°F		
Humidity Maximum	95%		
Altitude	≤ 2000 m / ≤ 6561 ft		
IP Code	IP65		
Mechanical			
Product Dimensions	13.8" x 9.8" x 5.1"		
Package Dimensions	19.6" x 13.7" x 10.7"		
Net Weight	18.1 lbs		
Gross Weight	20.3 lbs		
Charging Outlet	18ft Standard (25ft Optional)		
Protections			
CCID	CCID20		
Protection Features	Overcurrent, Undervoltage, Overvoltage, Residual-Current, Surge Protection, Short-Circuit, Over Temperature, Ground Fault, Current Leakage		
Regulations			
Standards	UL 2594, UL 2231-1/-2		
Safety Certificate	cETL		
Wireless Certificate	Industry Canada (IC) / Federal Communications Commission (FCC)		
Charging Interface	SAE J1772		



Hypercharge EVC11

Mounting Options

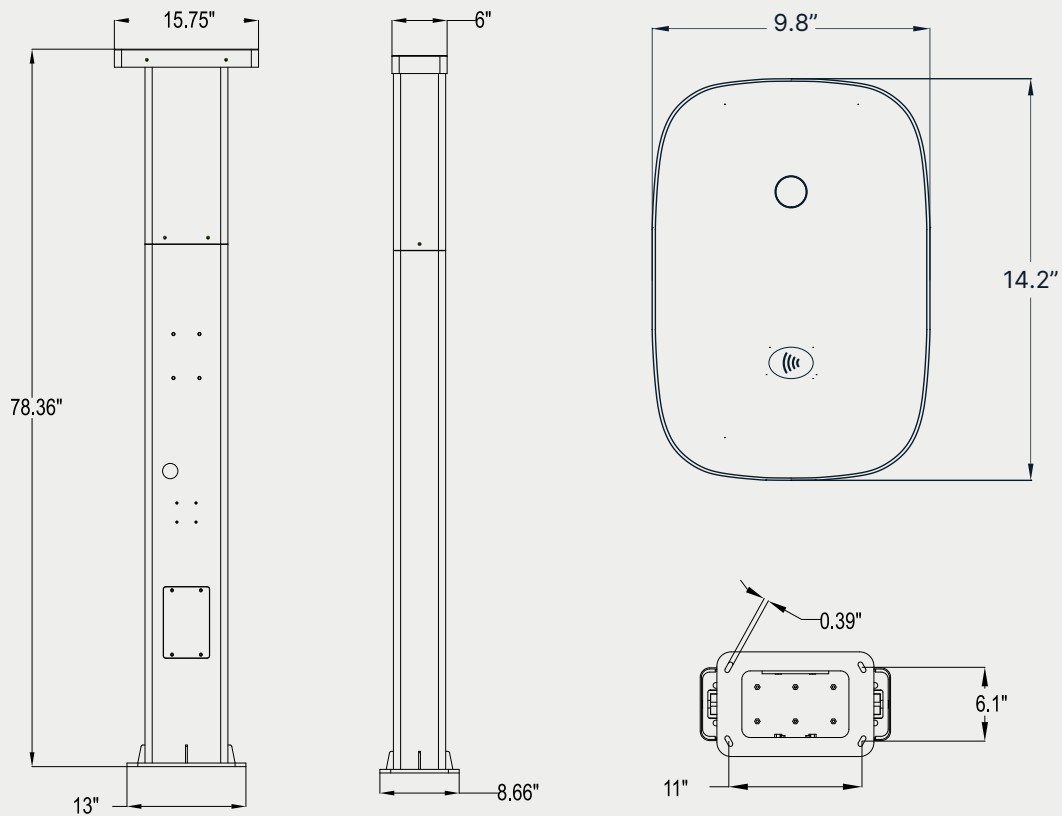


Back-to-Back Pedestal



Wall Mounted

Dimensions



Specifications are subject to change without notice.



hypercharge.com