



JNT-EVC11
Charging Station
Spec Sheet

JNT-EVC11: Level 2 AC EV Charger

Features

Stylish PC casing material with Anti-UV treatment for yellowing protection

OCPP 1.6J Network Connectivity

IK08 & IP54 for Indoor & Outdoor Applications



Station ID:

LED Indicator

RFID Reader for Quick Start Charging



Wi-Fi/LAN

32 amp and 7.6kW output

18 ft Charging Cable

SAE J1772 Charging Plug



JNT-EVC11: Level 2 AC EV Charger

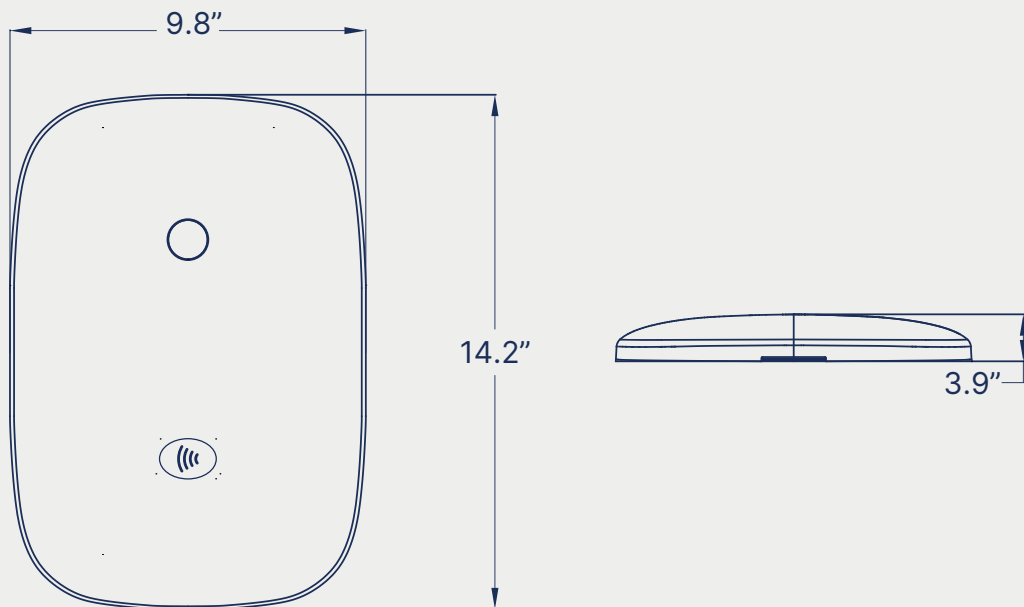
Specifications

Model No.	EVC11/32AC
Input Voltage	208-240Vac
Frequency	50-60Hz
Amperage	32A
Max. Power Output	7.6kW
Net Weight	12.1lbs
Gross Weight	14.6lbs
Product Dimensions	14.2" x 9.8" x 3.9"
Package Dimensions	19.6" x 13.7" x 9.3"
Protections & Standards	
Charging Interface	SAE J1772 Compliant, Type 1 Plug
Safety Compliance	UL2594, UL2231-1/-2, ETL
Multiple Protection	UVP, OVP, RCD(CCID20), SPD, Ground Fault Protection, OCP, OTP, Control Pilot Fault Protection
Environmental	
Operating Temp.	-22°F to 122°F
Relative Humidity	Up to 95% non-condensing
Cable Length	18ft Standard (25ft Optional with Surcharge)
Regulations	
Certificate	UL 2594, UL 2231-1/-2
Safety	cETL
Wireless Certificate	Industry Canada (IC) / Federal Communications Commission (FCC)

JNT-EVC11: Level 2 AC EV Charger Pedestal Options



Schematic Diagram



Thank you!

sales@hypercharge.com

+1 (866) 764-5433



hypercharge.com