



Kempower Movable
Charging Station
Spec Sheet

Kempower Movable: Level 3 DC EV Charger Features

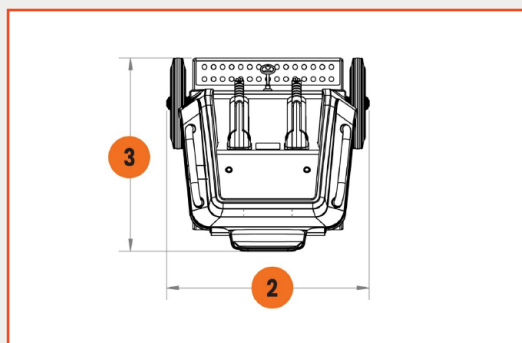
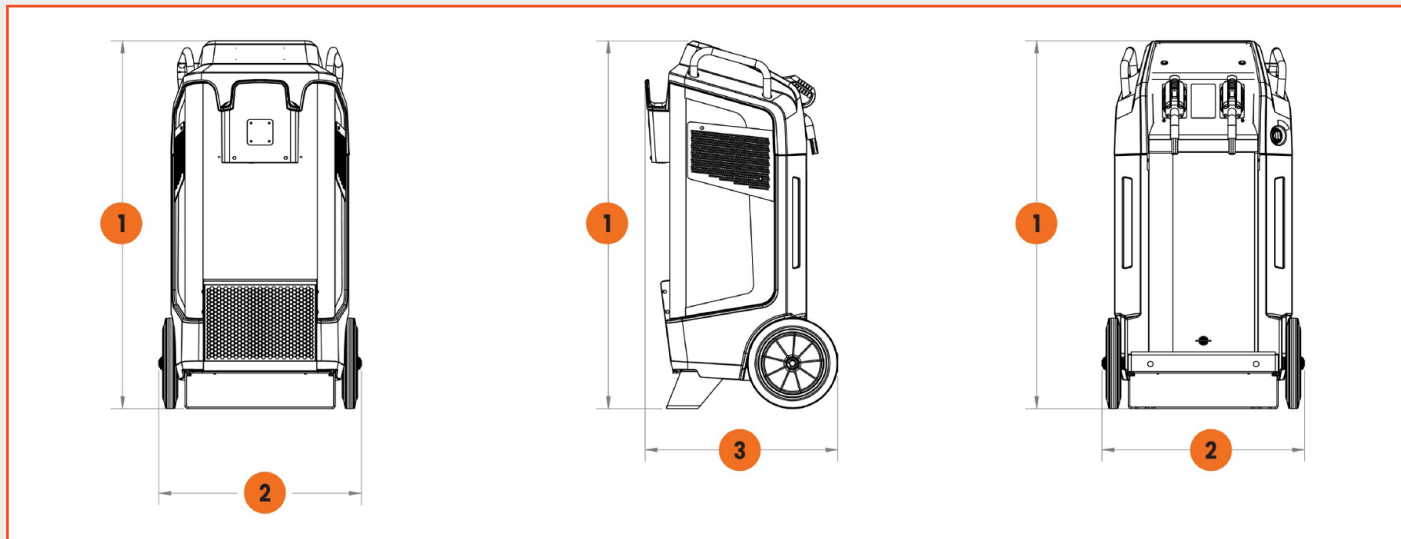


Kempower Movable: Level 3 DC EV Charger Specifications

Grid connection (AC)	3P+PE
Grid supply connector	IEC 60309
Supply cable length	5 m
Input nominal voltage	400 VAC
Input operating voltage	380...480 VAC +6%/-10%
Input frequency	50...60 Hz
Nominal input power	47 kVA (at nominal input voltage)
Power factor at full load	0.92
Efficiency at full load	94%
Idle power	20 VA
Overvoltage category	III
Rated conditional short-circuit current	25 kA
Network type	TN-S, TN-C, TN-C-S, TT
Operating temperature	-30...+50 °C
Current derating	Charging current decreases 1.5% for every 1 °C rise in temperature above +40 °C
Maximum altitude without derating	2000 m
Altitude derating	Charging current decreases 1.4% for every 100 m rise above 2000 m
Operational noise level	< 60 dB at 1 m distance
Storage temperature	-40...+60 °C
Ambient air humidity	< 95% relative humidity
Enclosure rating	IP54, IK10
WiFi	802.11 b/g/n (2.4/5 GHz)
Cellular/GPS	LTE-FDD, LTE-TDD, WCDMA, GSM
Ethernet	RJ45, IEEE 802.3/802.3u
OCPP	1.6j/2.0.1
Connectivity	Kempower ChargeEye solution
CCS2	DIN 70121:2012, ISO 15118:2013, ISO 15118:2010
CHAdeMO	0.9/1.0

Kempower Movable: Level 3 DC EV Charger

Schematic Diagram



- 1 1216 mm
- 2 670 mm
- 3 638 mm

Thank you!

sales@hypercharge.com

+1 (866) 764-5433



hypercharge.com