



Kempower Satellite
Charging Station
Spec Sheet

Kempower Satellite: Level 3 DC EV Charger

Features

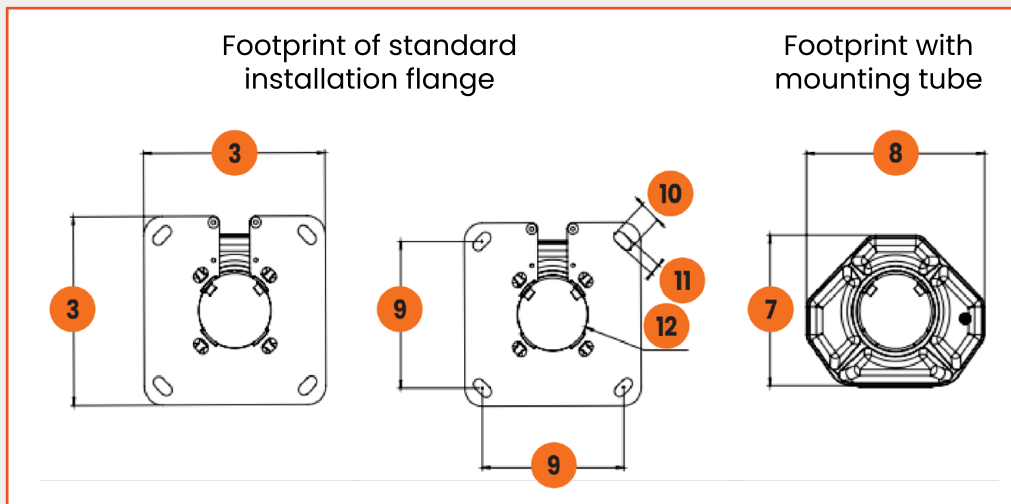
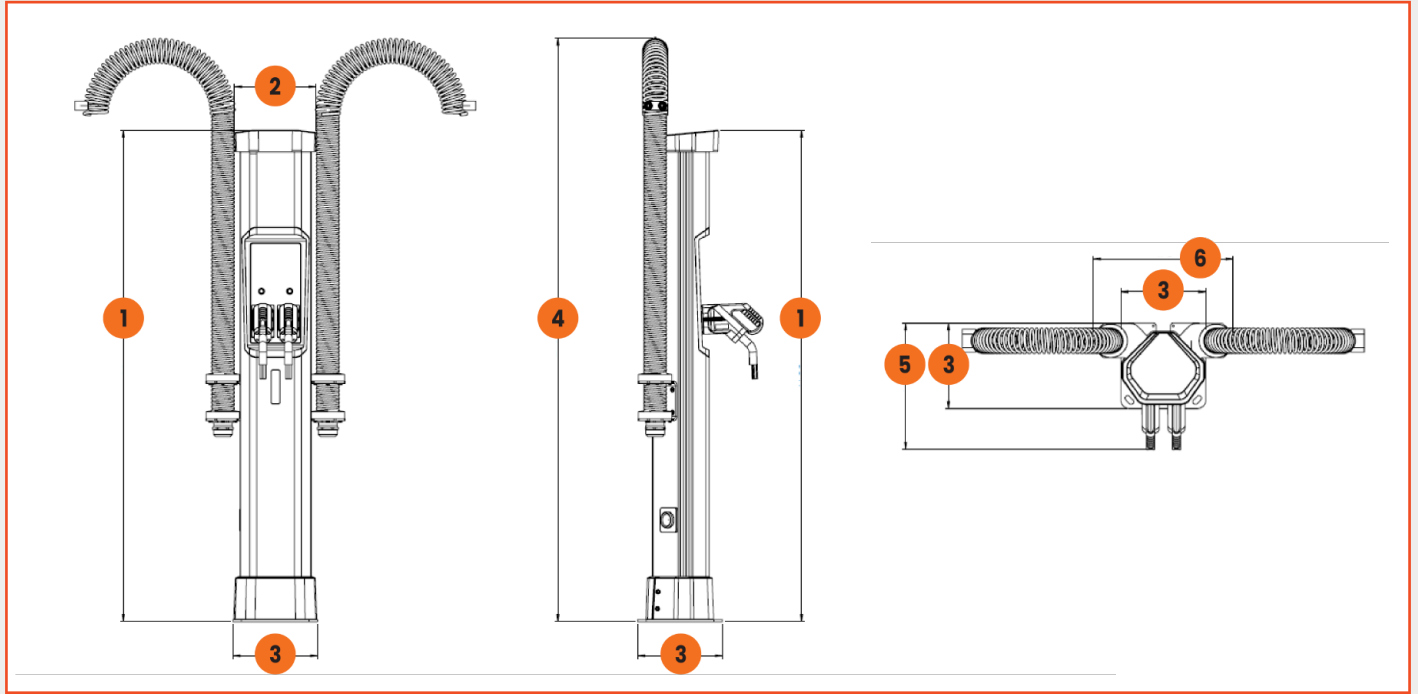


Kempower Satellite: Level 3 DC EV Charger Specifications

DC charging connector options	CCS2 IEC 62196-3, CHAdeMO
Voltage	Max. 1000 VDC
Standby power	25 W
Operating temperature	-30...+50 °C
Derating	Charging cable pin temperature limits charging current. For other limiting variables, see the applicable Power Unit datasheet.
Storage temperature	-40...+60 °C
Ambient air humidity	< 95% relative humidity
Enclosure rating	IP54, IK10 (IK09 for the payment terminal)
WiFi	802.11 b/g/n (2.4/5 GHz)
Cellular/GPS	LTE-FDD, LTE-TDD, WCDMA, GSM
Ethernet	RJ45, IEEE 802.3/802.3u
OCPP	1.6j/2.0.1
Connectivity	Kempower ChargeEye solution
CCS2	DIN 70121:2012, ISO 15118:2013, ISO 15118:2010
CHAdeMO	0.9/1.0
Authentication methods	RFID: ISO 14443A, ISO 15693, ISO 14443B (STM SRI512) Customer backend via OCPP Payment terminal AutoCharge ISO 15118-2 Plug & Charge

Kempower Satellite: Level 3 DC EV Charger

Schematic Diagram



1	1738 mm	5	444 mm	9	240 mm	13	913 mm
2	289 mm	6	493 mm	10	36 mm	14	663 mm
3	300 mm	7	239 mm	11	18 mm	15	394 mm
4	2100...2400 mm	8	294 mm	12	120 mm		

Thank you!

sales@hypercharge.com

+1 (866) 764-5433



hypercharge.com