



Autel MaxiCharger AC Pro

Level 2 Charging Station



Autel MaxiCharger AC Pro

Features





Autel MaxiCharger AC Pro

One-Click Snap-in Installation

The Autel AC Pro Charging Station is designed with efficiency and ease in mind, making it an excellent choice for rapid deployment.

With a smart, one-click snap-in installation process, the setup is completed in just 8 minutes. This innovative approach is supported by a separate mounting plate, ensuring all the wiring is neatly organized, and significantly simplifies the install process with optional electrical connections from the bottom, back, or top.

With the station's programming embedded in an NFC chip on the mounting plate, setup, commissioning, and any potential replacements are quick and effortless.

The Autel AC Pro's intelligent design not only speeds up installation but also enhances long-term serviceability, making it an ideal option for those seeking efficiency without compromise.





Autel MaxiCharger AC Pro

Specifications

Product Information

Input/output power rating and current	19.2kW (240V AC*80A) Output amperage adjustable via mobile app, from 6A to 80A, support 16A,24A,32A,40A,48A,50A,64A,72A,80A via dip switch
Input/output voltage	208/240V AC 50/60Hz single phase, support HiLeg Delta wiring configuration
Input power connections	L1, L2, Input power connections and Earth Ground
Input cord	Hardwired
Connector type	SAE J1772/NACS
Charging cable length	6m(19ft)/7.5m (25ft)
Ground fault detection	20mA CCID
Protection	Overcurrent, overvoltage, undervoltage, integrated surge protection
Card reader	ISO 15693, ISO 14443 A/B, ISO18092
Metering accuracy	±1%, NTEP/CTEP Certified
Vehicle communication	ISO15118-2/20
Authentication methods	Plug & charge, Autocharge, RFID, Third-party apps

General Characteristics

Enclosure rating	NEMA 3S, IK10
Operating altitude	3000m (9842ft)
Operating temperature range	-31°F~131°F (-35°C ~ +55°C) (Derate when above 113°F (45°C))
Storage temperature range	-40°F ~ +158°F (-40°C ~ +70°C)
Mounting	Wall or floor using a pedestal (ADA)
Dimensions (H×W×D)	14.5 × 8.5 × 5.1 inch (368 × 216 × 130 mm)
Package Dimensions (H×W×D)	19.4 × 14.6 × 10 inch (492 × 370 × 254 mm)
Weight	20.7 lbs (9.4kg)

User Interface

Status indication	LEDs and 7 inch LCD,800*480 touch screen
Connectivity	4G, Wi-Fi, Ethernet, RS485, Wisun
Communication protocols	OCPP 1.6J, OCPP 2.0.1
Current control method	APP, hardware DIP switch(Dial)

Certification and Standard

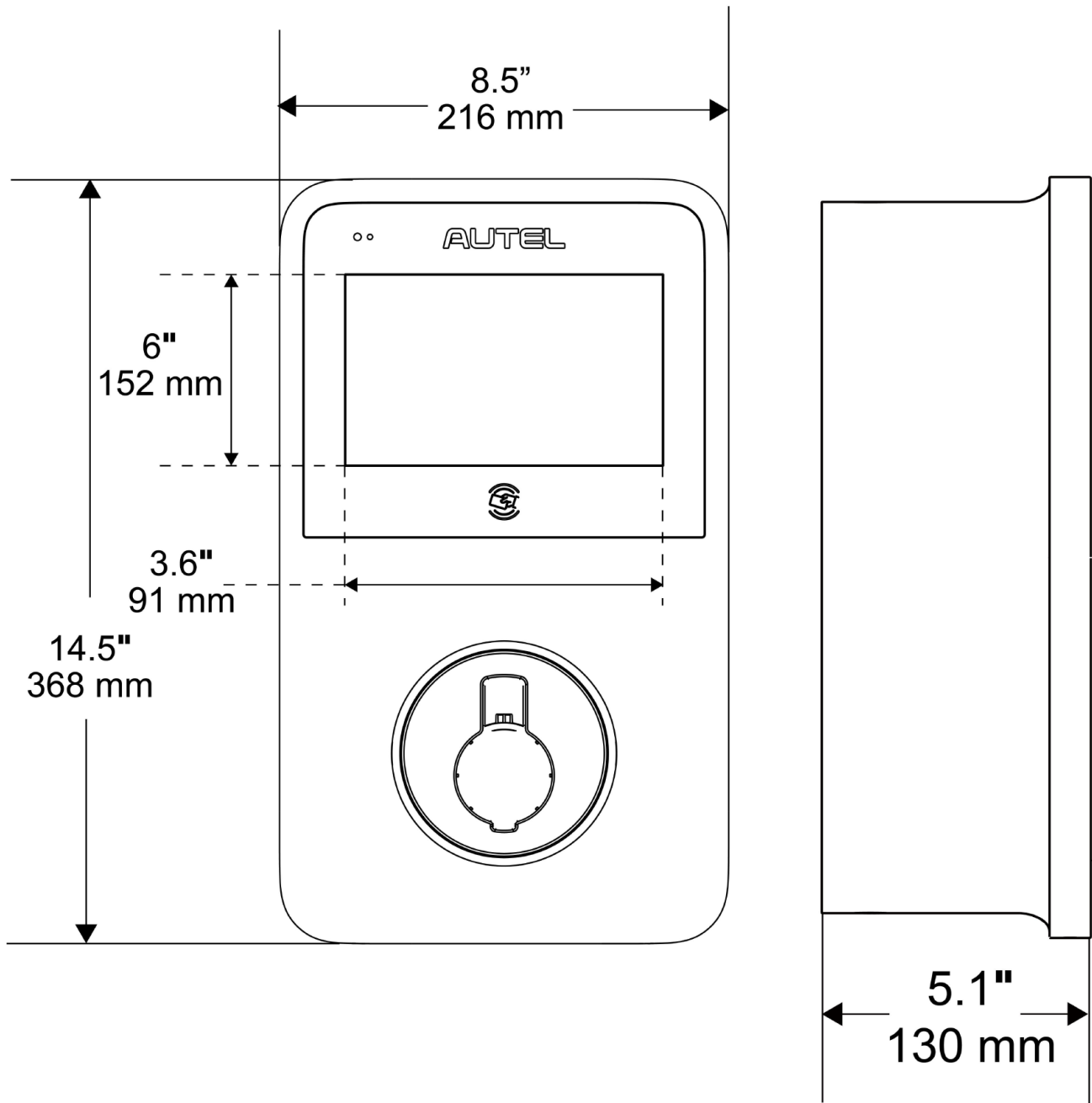
Safety standards	UL 2594, UL 2231-1, UL 2231-2, UL 1998, CSA C22.2. NO.280
Codes and standards	FCC Part 15 Class B , ENERGY STAR , OpenADR 2.0b, NEC Article 625
Lifespan	10+ years
Warranty	5 years*

*Applies to charger body, backplate and internal components only. A 1 year warranty is included for the display screen, charging cable, and connector. Extend with Hypercharge Comprehensive Warranty for full coverage. Specifications are subject to change without notice.



Autel MaxiCharger AC Pro

Dimensions





hypercharge.com